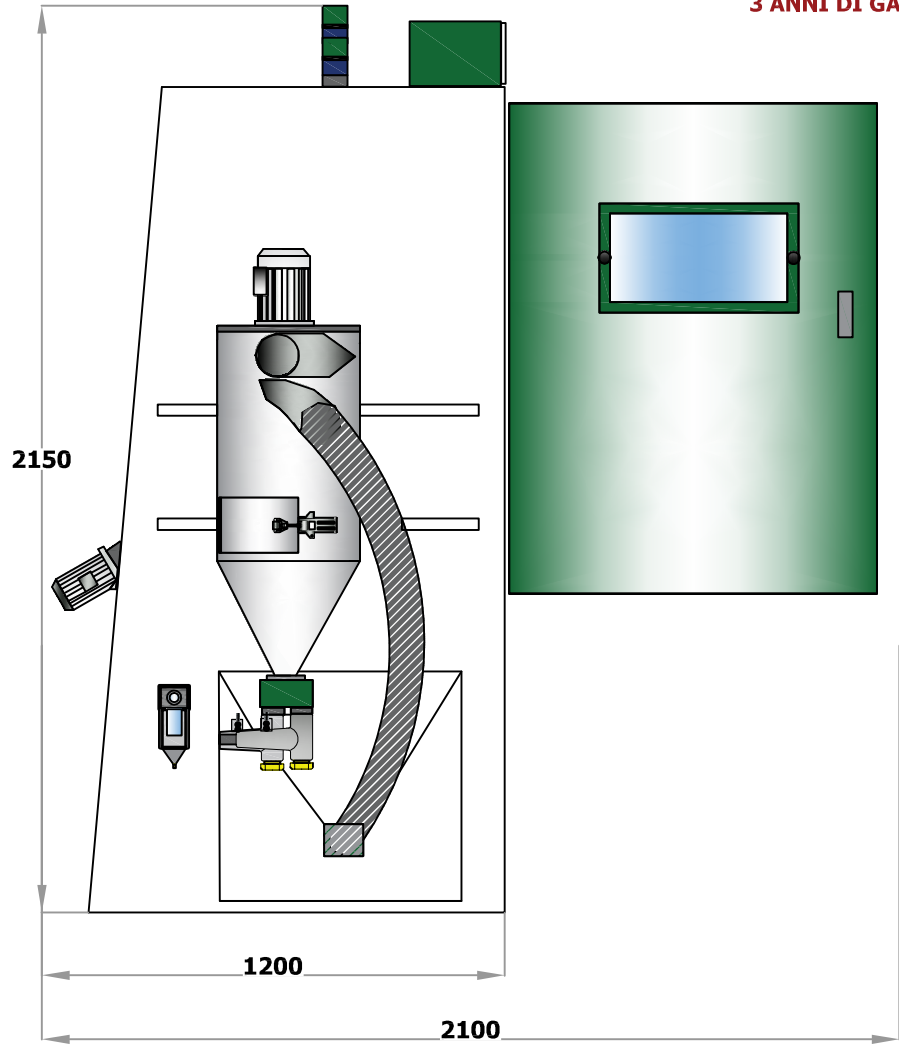
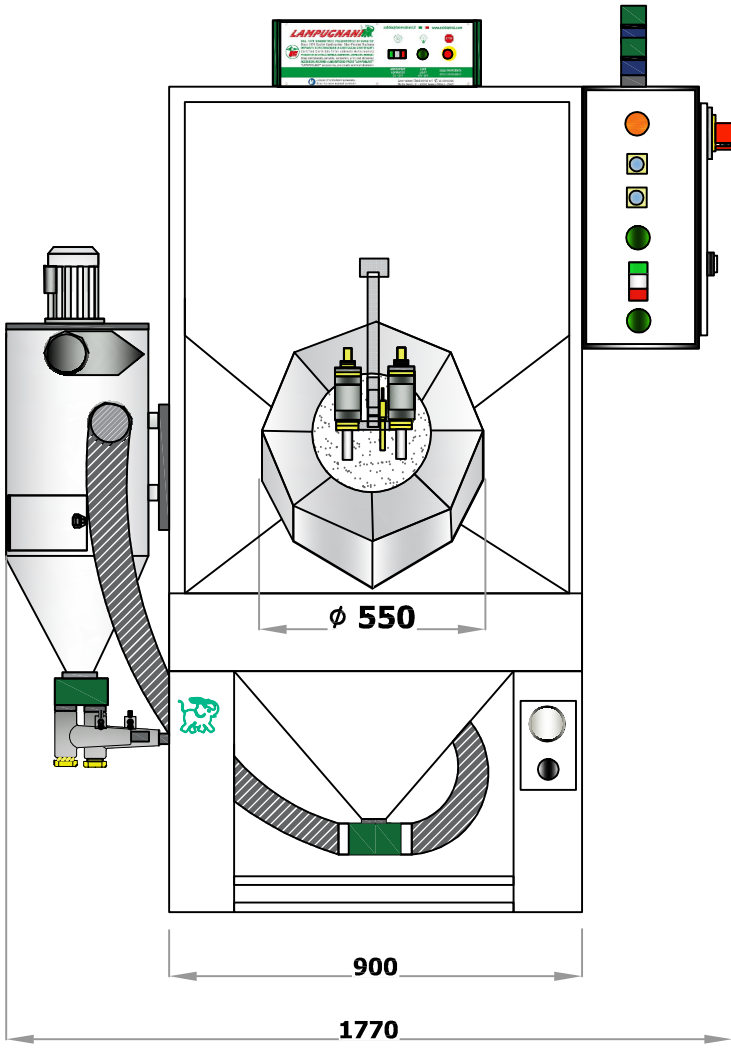




3 ANNI DI GARANZIA

A
B
C
D
E
F



Itemref	Quantity	Title/Name, designation, material, dimension etc			Article No./Reference	
Designed by	Checked by XXX	Approved by - date XXX - 00/00/00	File name XXX	Date	Scale 1:1	
LC -551 - CR				Misure espresse in mm.		
				lampugnani sabbiatrici srl	Edition 1	Sheet 1/1

