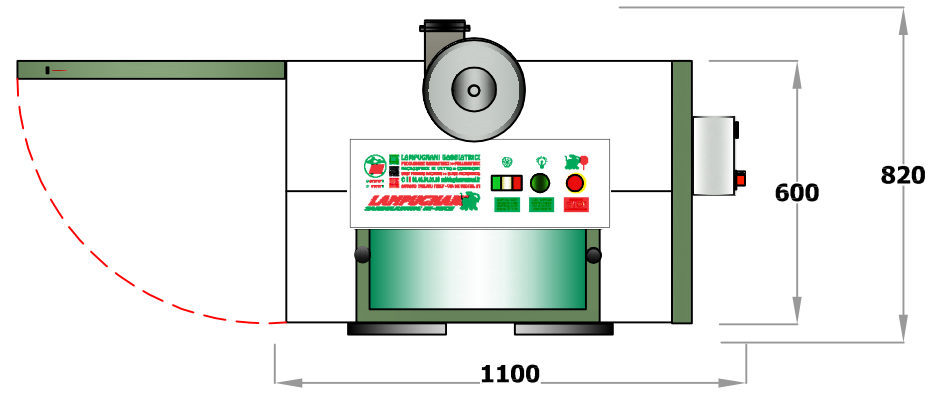
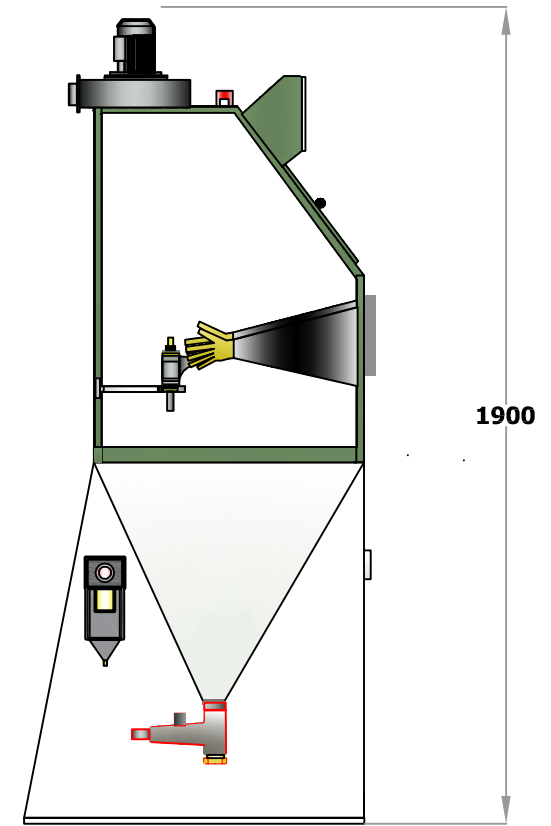
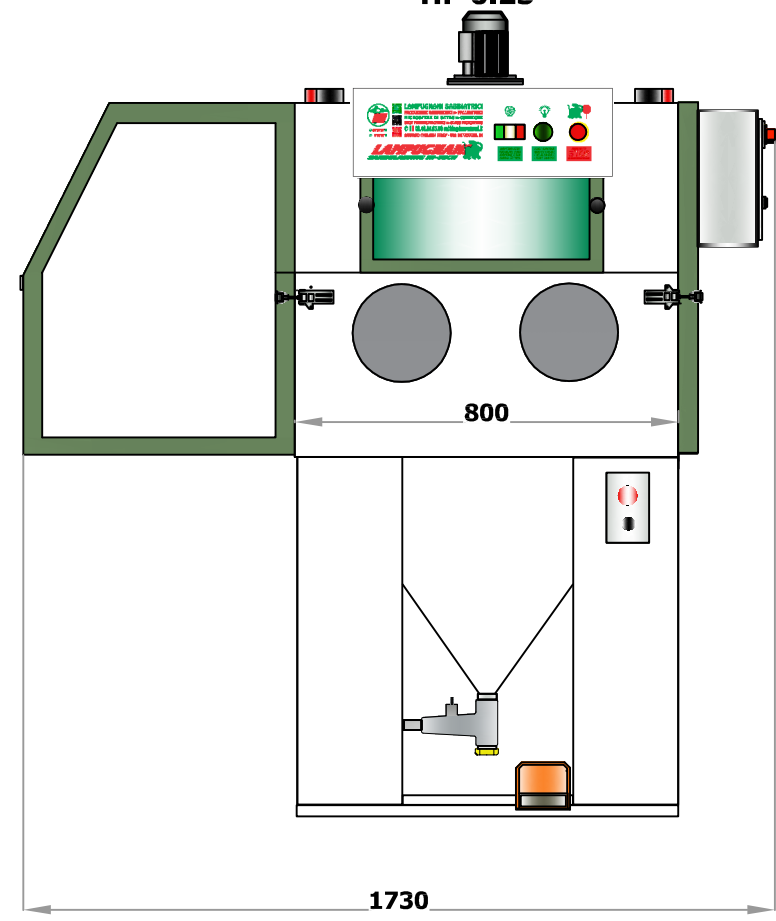


HP 0.25

**MADE
IN
ITALY**

3 ANNI DI GARANZIA



Itemref	Quantity	Title/Name, designation, material, dimension etc			Article No./Reference	
Designed by XXX	Checked by XXX	Approved by - date XXX - 00/00/00	File name XXX	Date 06/03/2018	Scale 1:1	
LC-S			Misure espresse in mm.			
			Lampugnani sabbiatrici SRL	Edition 0	Sheet 1/1	