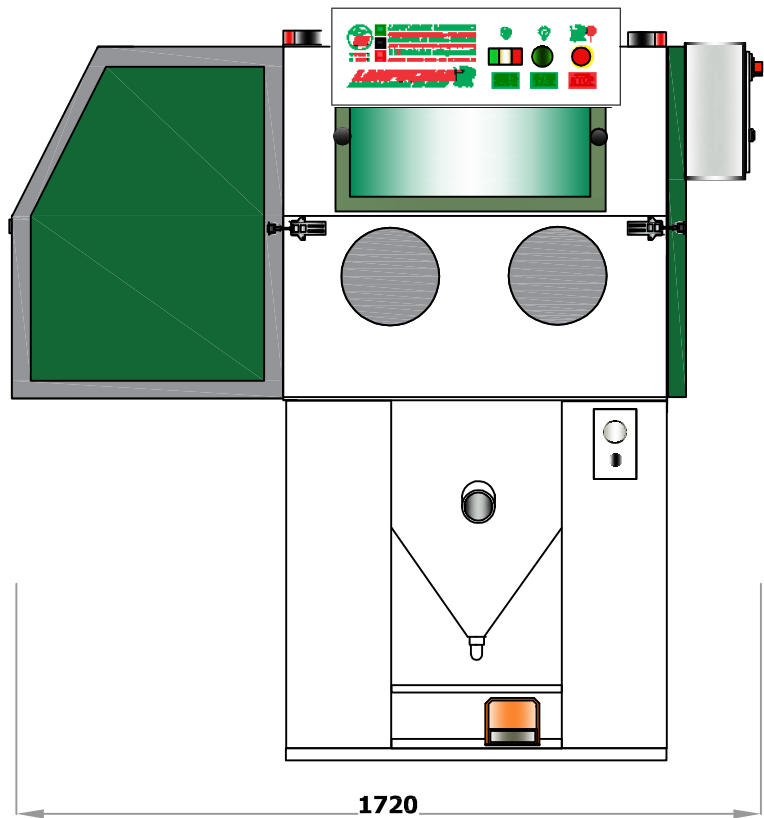
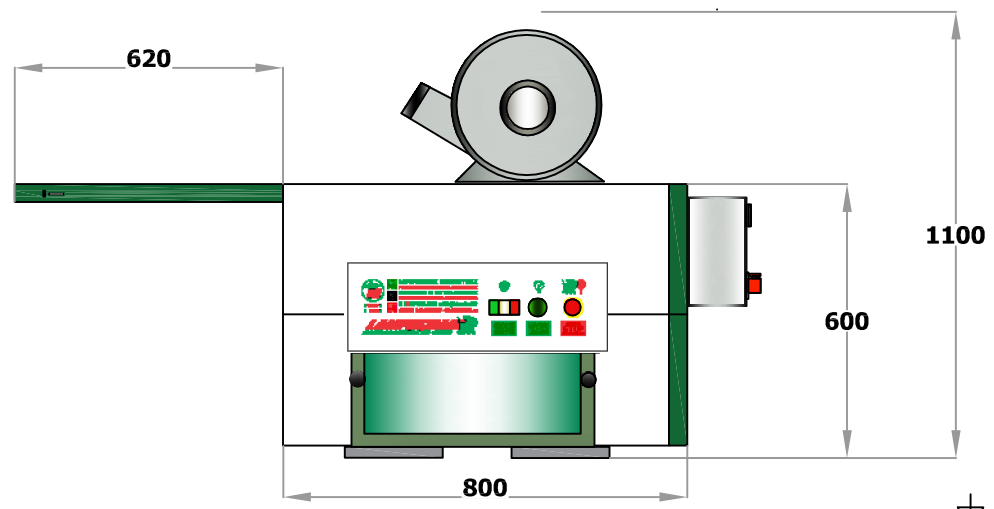
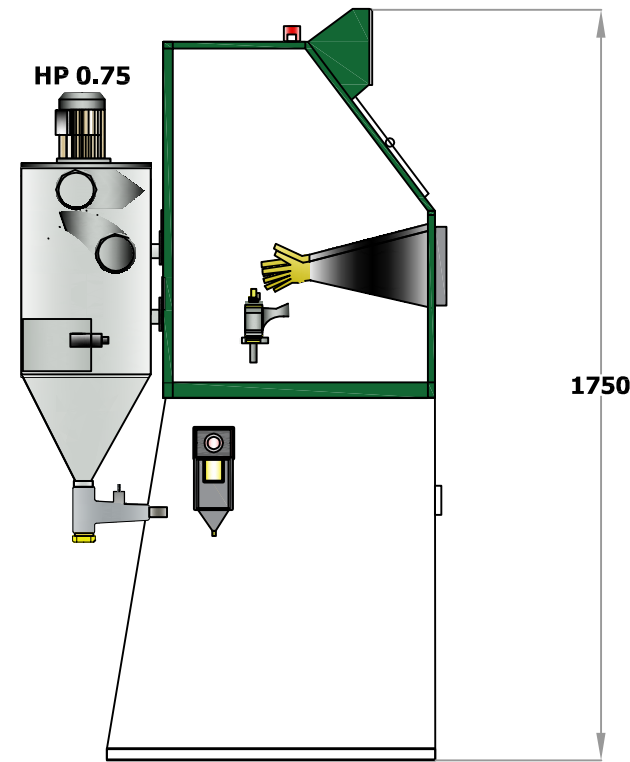


A
B
C
D
E
F

A
B
C
D
E
F



MADE IN ITALY
3 ANNI DI GARANZIA



Itemref	Quantity	Title/Name, designation, material, dimension etc			Article No./Reference	
Designed by XXX	Checked by XXX	Approved by - date XXX - 00/00/00	File name XXX	Date 06/03/2018	Scale 1:1	
LC-05			Misure espresse in mm.			
			lampugnani sabbiatrici srl		Edition 0	Sheet 1/1

1 2 3 4 5 6 7 8

1 2 3 4 5 6 7 8